



BRAVO FOTO

Corded Telephone

Instruction manual

I. FEATURES

CORDED TELEPHONE FOR SENIOR

EASY TO SEE:

- Big buttons
- Oversize led incoming call indicator

EASY TO HEAR:

- SETTABLE LOUD RINGER AND HEARING VOLUME
- HEARING AID COMPATIBLE

COMFORTABLE TO USE:

- Double function keys:
 - o Numbers: for standard use
 - o Memory with changeable photoes: fit yourself the photo on the key
- Mute key on handset

CALL & MEMORY FEATURES

- 10 memories (with photo) + 3 direct memory keys
- Last call redial

TECHNICAL DATA:

Type: Corded phone

Dimension: 163x186x83 mm

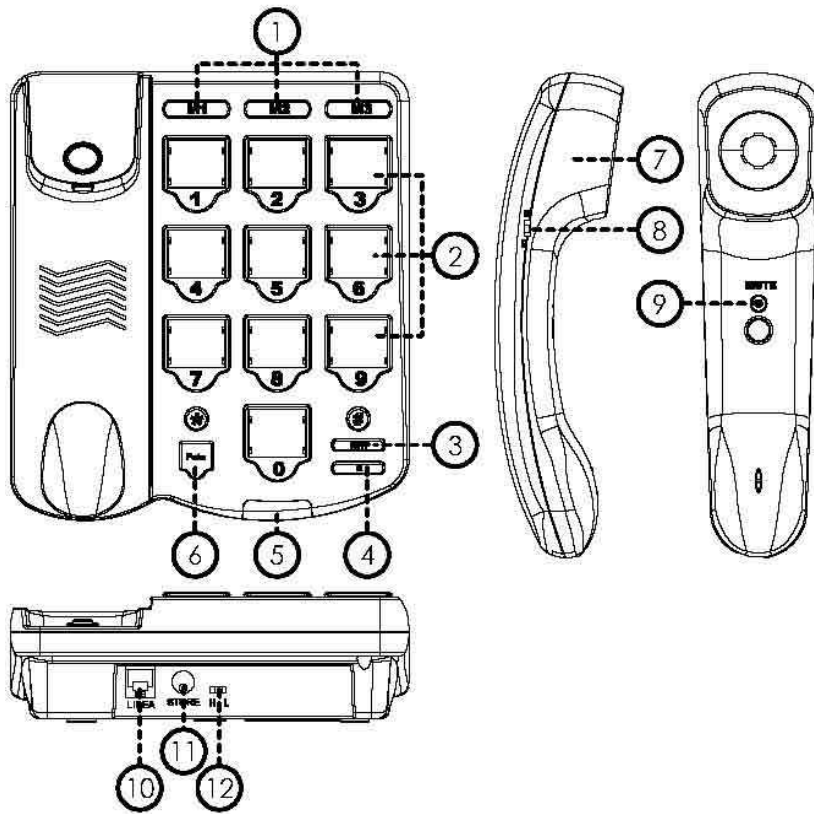
Important: To maintain the memories also when the phone isn't connected to the line, 2 AAA batteries are necessary.

GIFT BOX CONTENTS:

- 1 Telephone, 1 line cord
- Warranty card, Instruction manual, Italian Service Center List

I. FEATURES WITH DIAGRAM

- | | |
|------------------------|---------------------------|
| 1. Direct Memories Key | 2. Dialing Key/Memory Key |
| 3. Redial/Pause key | 4. Flash key |
| 5. Ringer Light | 6. Photo key |
| 7. Handset Key | 8. Receiver Hi/Lo switch |
| 9. Mute Key | 10. Line Jack |
| 11. Store Key | 12. Ringer Hi/Lo Switch |



II. OPERATION

1. Receiving a Call

Whenever the phone rings, pick handset to answer a call.

2. Making a phone Call

Pickup the handset and listen for a dial tone. Then dial your call in one of the three ways:

- press the keys for the numbers you wish to call, or
- press REDIAL key to call previously dialed number, or
- press Direct memory key (M1, M2, M3) or PHOTO key & followed by any of the ten numeric keys (0,1,2,..9) designating the memory location containing the number you wish to dial.

3. Ending a Call

When you finish your conversation, return the handset to the cradle.

4. Storing a number in Memory

- Lift handset
- Press STORE key
- Entering the desired phone number
- Press STORE key again
- Enter direct memories button (M1, M2, M3) or Enter a numerical key (0,1,2,.. 9) for 10 indirect memories
- Put back the handset onto the cradle unit

Note : The phone number is then stored in the memory location designed by the last digits pressed (location 0 to 9)

5. Mute Operation

During your phone call, if you want a private conversation not to be heard by the other party on the line.

- a) Press continuously MUTE key.
- b) To continue your phone call, release the mute key.

6. Redial Function

When the handset is lifted from the cradle and the REDIAL key is pressed, the last number entered will automatically redial again.

7. Pause function

Press this key for insert a 3.6s pause during storing memory or dialing number..

8. Flash Function.

Press the Flash key the phone line will break and disconnected. It is for Call-waiting or other functions offered by local telephone company.

8. Setting Ringer Volume

Set Ringer Switch to HI (High) or LO (Low) position to adjust the volume of the ringer.

9. Set Receiver volume

Slide the receiver volume switch to Hi or Lo for the volume adapt to you.

Special Note regarding memories and stored numbers:

Please note that as long as this telephone is connected to an active phone line, the stored phone numbers in the memories will be retained indefinitely without batteries. However, in case of phone line failure, or disconnection of this phone from the phone line for repair or other purpose, or too many other telephones connected on the same phone line. In such cases, store the desired numbers again.

You can personalize the numeric big keys (0-9) with the pictures of your family and friends:

1. With a thin tool remove the transparent film from the key
2. Using the thing tool remove the current photo (if inserted)
3. Insert first the new photo (32x18 mm) and then the transparent film.

Declaration of conformity

Brondi Telefonia S.p.A., with registered offices in Str. Caffadio 14 – 10036 Settimo Torinese (TO) and headquarters in Via Guido Rossa 3 – 10024 Moncalieri (TO), holds that the appliance BRAVO FOTO complies with the EC R&TTE Directive 1999/5/EC and conforms to the following standards: EN55022, EN55024, EN60950. Conformity to these requirements is indicated through the marking:

BRAVO FOTO has been designed and produced to be used in connection with the Italian

analog telephone network PSTN.

BRAVO FOTO complies with the EC EMC Directive 89/336/EEC and with the EC Low Voltage Directive 73/23/EEC.



www.brondi.it

version 1 – 27 September 2005